

# TM5NCO1

## CANopen communication module, Modicon TM5, FieldBus Interface



Product availability: Non-Stock - Not normally stocked in distribution facility

Price\*: 293.00 USD



### Main

Range of Product	Modicon TM5
Product or Component Type	CANopen communication module

### Complementary

Range Compatibility	Modicon LMC058 Modicon LMC078 Modicon M258
Product Compatibility	Motion controller Logic controller
Integrated connection type	1 isolated serial link, male SUB-D 9 CANopen, 10, 20, 50, 125, 250, 500, 800, 1000 K-bit/s and autodetected
Current consumption	300 mA
Device composition	Interface module Bus base ordered separately Power supply ordered separately Terminal block ordered separately
Maximum power dissipation in W	1.5 W
Color	White
Local signalling	1 LED green/red for power supply (PWR) 1 LED green/red for CAN status (RUN) 1 LED red for CAN status (ERROR) 1 LED yellow for controller communication status on TM5 bus (TxD)
Electrical connection	Removable spring terminal block
Marking	CE
Net Weight	0.11 Lb(US) (0.05 kg)

The information provided in this documentation contains general descriptions and/or technical characteristics of the performance of the products contained herein. This documentation is not intended as a substitute for and is not to be used for determining suitability or reliability of these products for specific user applications. It is the duty of any such user or integrator to perform the appropriate and complete risk analysis, evaluation and testing of the products with respect to the relevant specific application or use thereof. Neither Schneider Electric Industries SAS nor any of its affiliates or subsidiaries shall be responsible or liable for misuse of the information contained herein. \*Prices are indicative

## Environment

Standards	CSA C22.2 No 213 IEC 61131-2 UL 508 CSA C22.2 No 142
Product Certifications	CULus C-tick CSA GOST-R
Ambient air temperature for operation	14...131 °F (-10...55 °C) without derating horizontal installation) 14...140 °F (-10...60 °C) with derating factor horizontal installation) 14...122 °F (-10...50 °C) vertical installation)
Ambient Air Temperature for Storage	-40...158 °F (-40...70 °C)
Relative Humidity	5...95 % without condensation
IP degree of protection	IP20IEC 61131-2
Pollution degree	2 IEC 60664
Operating altitude	0...6561.68 ft (0...2000 m)
Storage altitude	0.00...9842.52 Ft (0...3000 m)
Vibration resistance	1 gn 8.4...150 Hz DIN rail 3.5 mm 5...8.4 Hz DIN rail
Shock resistance	15 gn 11 ms
Resistance to electrostatic discharge	4 KV on contact EN/IEC 61000-4-2 8 KV in air EN/IEC 61000-4-2
Resistance to electromagnetic fields	0.91 V/M (1 V/m) 2...2.7 GHz EN/IEC 61000-4-3 9.14 V/M (10 V/m) 80 MHz...2 GHz EN/IEC 61000-4-3
Resistance to fast transients	1 KV EN/IEC 61000-4-4 I/O) 1 KV EN/IEC 61000-4-4 shielded cable) 2 KV EN/IEC 61000-4-4 power lines)
Surge withstand	0.5 KV differential mode EN/IEC 61000-4-5 1 KV common mode EN/IEC 61000-4-5
Electromagnetic compatibility	EN/IEC 61000-4-6
Disturbance radiated/conducted	CISPR 11

## Ordering and shipping details

Category	22532 - M258 PLC
Discount Schedule	PC12
GTIN	03595864093031
Nbr. of units in pkg.	1
Package weight(Lbs)	2.29 Oz (65 g)
Returnability	No
Country of origin	AT

## Packing Units

Unit Type of Package 1	PCE
Package 1 Height	1.18 In (3 cm)
Package 1 width	2.36 In (6 cm)
Package 1 Length	4.13 In (10.5 cm)

## Offer Sustainability

Sustainable offer status	Green Premium product
California proposition 65	WARNING: This product can expose you to chemicals including: Lead and lead compounds, which is known to the State of California to cause cancer and birth defects or other reproductive harm. For more information go to <a href="http://www.P65Warnings.ca.gov">www.P65Warnings.ca.gov</a>
REACH Regulation	<a href="#">REACH Declaration</a>
REACH free of SVHC	Yes
EU RoHS Directive	Pro-active compliance (Product out of EU RoHS legal scope) <a href="#">EU RoHS Declaration</a>
Toxic heavy metal free	Yes
Mercury free	Yes
RoHS exemption information	<a href="#">Yes</a>
China RoHS Regulation	<a href="#">China RoHS Declaration</a>
Environmental Disclosure	<a href="#">Product Environmental Profile</a>
Circularity Profile	<a href="#">End Of Life Information</a>
WEEE	The product must be disposed on European Union legal markets following specific waste collection and never end up in rubbish bins.
PVC free	Yes

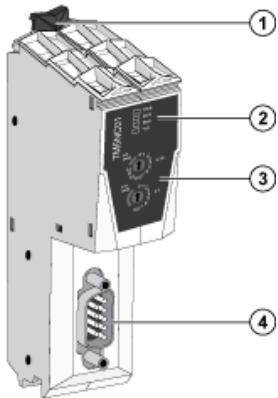
## Contractual warranty

Warranty	18 months
----------	-----------

---

CANopen Interface Module

---



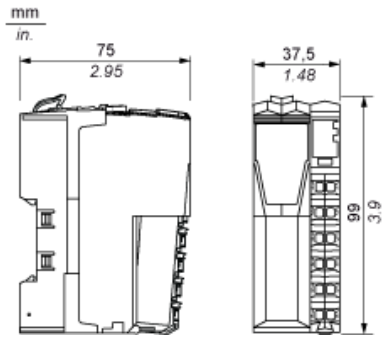
- (1) Locking clip
- (2) Status LEDs
- (3) CANopen address and bit-rate setting rotary switches
- (4) CANopen bus connector (SUB-D 9)

---

TM5 Field Bus Interface

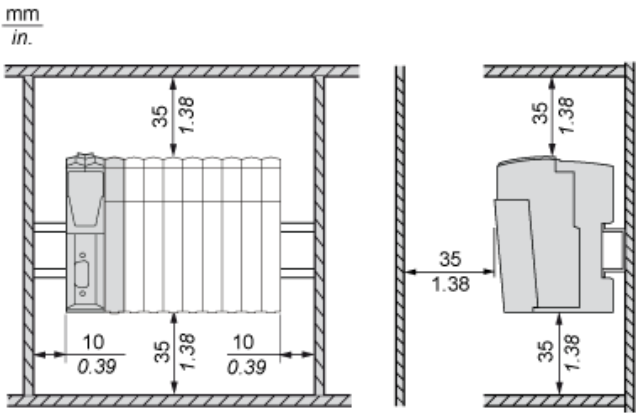
---

Dimensions

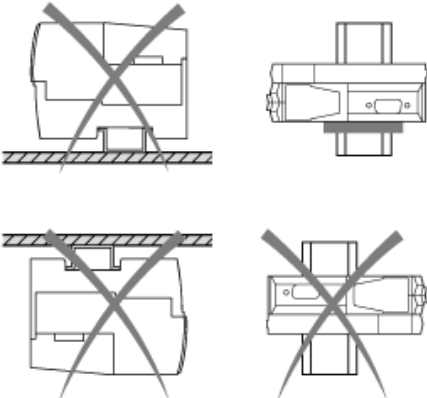


TM5 System

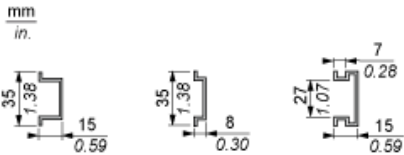
Spacing Requirements



Mounting Position



Mounting on a Din Rail

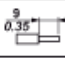






---

## TM5 System Wiring Recommendations

---

### Wire Sizes to Use with the Removable Spring Terminal Blocks

 mm in.				
mm <sup>2</sup>	0,08...2,5	0,25...2,5	0,25...1,5	2 x 0,25...2 x 0,75
AWG	28...14	24...14	24...16	2 x 24...2 x 18

Product Life Status :	<b>Commercialised</b>
-----------------------	-----------------------